

# Bouche Appliances

8822 SW 131 ST MIAMI, FL 33176

305-251-1623

SALES@BOUCHEAPPLIANCES.COM

## PRICE LIST 220V/50HZ PRODUCTS 6/11/11



**BOSCH**



# 36" Counter Depth Refrigerator

Bosch Evolution refrigerators are designed to be a beautiful, stylish and functional addition to any home. With color-matched sides, a variety of finishes to choose from and hidden hinges for a completely flush, built-in look, these high-tech machines are the finishing touch to any Bosch kitchen.



## 36" Evolution 500 Series Refrigerator KAN58A70 COUNTER DEPTH

### Evolution 500 Series Refrigerator Appearance

- 24" Counter Depth
- Hidden hinges
- Color matched sides

### Evolution 500 Series Refrigerator Performance

- SUPERCool
- SUPERFREEZE
- ENERGY STAR® Qualified
- Multi-Flow Shower Cooling System
- Dispenser Lock

### Evolution 500 Series Refrigerator Convenience

- External Controls
- Door Alarm
- Adjustable Tempered Glass Shelves
- Exterior Ice and Water Dispenser
- Large Drawer-Storage
- 20.19 Cubic Foot Capacity



PRICE USD	Cubic Ft
\$1860	49.5

# 24" Built-in Electric Ovens

## 24" Electric Oven Stainless Steel - HBA11B150V



- 60 CM (24") Electric Oven - 57 liters capacity.
- Included Accessories: 1 x Universal Tray, 1 x broiler pan
- Display Timer
- Cut-out dimensions (mm) 575-579 x 560 x 550 (Height x Width x Depth)
- Frequency Hz: 50;60
- Supply Voltage: 220-240 Volts

PRICE USD	Cubic Ft
\$512	9

## 24" Electric Convection Oven Stainless Steel - HBA42S350E



- 60 CM (24") Electric Convection Oven 53 liters capacity. 7 Functions
- Cut-out dimensions (mm) 575-579 x 560 x 550 (Height x Width x Depth)
- Included Accessories: 1 x Universal Tray, 1 x broiler pan
- Electronic Display Timer
- Frequency Hz: 50;60
- Supply Voltage: 220-240 Volts

PRICE USD	Cubic Ft
\$732	9

# 24" Built-in Electric Oven



PRICE USD	Cubic Ft
\$1100	9

## 24" Electric Convection Self-Clean Oven Stainless Steel - HBA73R450E

- 60 CM (24") Electric Convection Oven - Self-Clean. 8 Functions Including Pizza Function
- Cut-out dimensions (mm) 575-579 x 560 x 550 (Height x Width x Depth)
- Included Accessories: 1 x Universal Tray, 1 x Broiler Pan
- Electronic Controls / Display / Timer
- Sprint function for fast preheat /
- Programmable start / stop of cooking functions
- Retractable ergonomic dials / Child Lock / Aut. Shut-Off feature
- Frequency Hz: 50 Supply Voltage: 220-240 Volts

Space for Plug 320 x 115

Space for Plug 320 x 115

# 24" Built-in Microwave / Speed Oven



PRICE USD	Cubic Ft
\$1286	9

## 60 cm wide x 45 cm Microwave / High Speed Oven Stainless Steel - HBC84K553

- 60 CM (24") wide, 45 cm high Speed Oven (Multifunction Oven + Microwave)
- 4 Function Oven - 5 Microwave Power Levels
- 20 Preset Gourmet Recipes
- Advanced safety features including automatic shut-off and child lock
- Programmable start / stop of cooking functions
- Electronic Controls / Display / Timer
- Cut-out dimensions (mm) 450 x 560 x 550 (Height x Width x Depth)
- Frequency Hz: 50    Supply Voltage: 220-230 Volts

Rear wall  
Opening

Toe Kick Ventilation  
minimum 50 cm<sup>2</sup>

Toe Kick Ventilation  
minimum 50 cm<sup>2</sup>

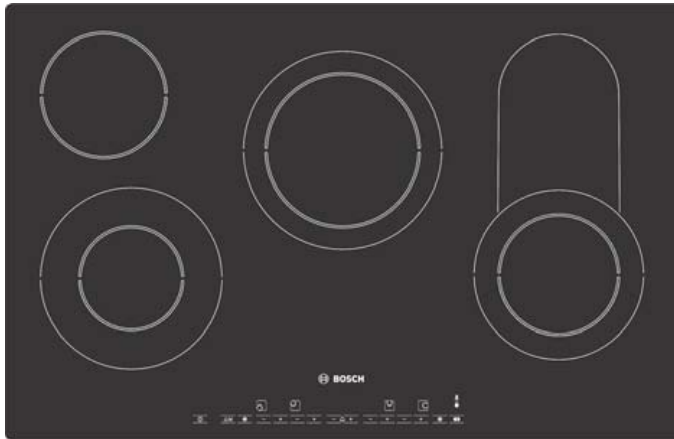
# 24" Electric Cooktop

PRICE USD	Cubic Ft
\$477	1.5

## **PKF651R14E - 24" Electric, Ceramic glass touch control cooktop**

- Frameless design
- 4 High speed cooking zones - including 1 dual zone
- Touch Controls
- Timer with switch-off functions for all zones
- 17 Power Levels
- Residual heat indicators / Childproof lock / Safety switch-off feature
- Frequency Hz: 50/60 Supply Voltage: 220-240 Volts

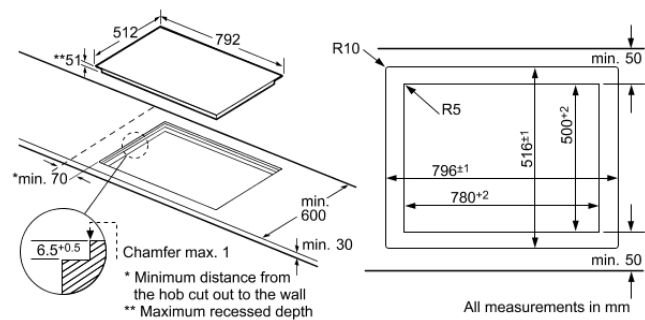
# 80 cm Electric **Cooktop**



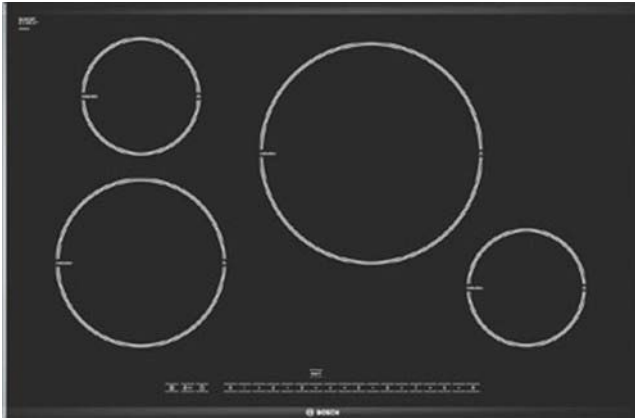
PRICE USD	Cubic Ft
\$756	2.1

## PKC801N14D - 80 cm Electric, Ceramic glass touch control cooktop

- 5 cooking zones - including:
  - 2 Dual zones
  - 1 Expandable triple zone
- Touch controls
- Timer with switch-off function for all zones
- 17 Power Levels
- Individual hot surface indicator lights
- Childproof lock / Safety switch-off feature
- Flush design
- 5060 Hz, 220-240 Volts



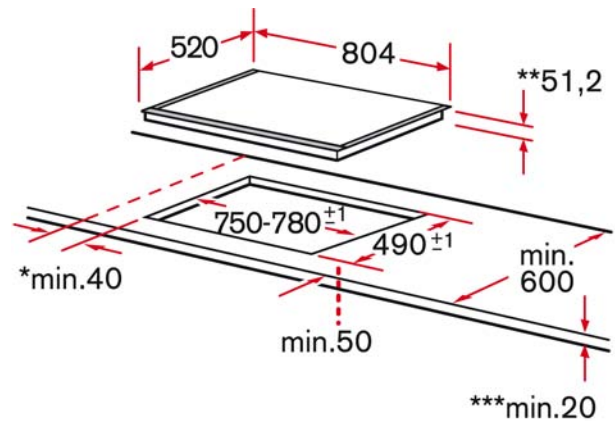
# 80 cm Induction Cooktop



PRICE USD	Cubic Ft
\$913	2.2

## PIL875N14E - 80CM / 31.5" Ceramic Induction Cooktop

- 4 Induction zone hob with black ceramic glass base and brushed stainless steel trim
- Electronic front touch controls
- Main on/off control
- Variable 17-stage power settings for each zone
- Electronic power level display
- Boost setting for all zones
- Automatic pan recognition
- Timer with automatic shut-off for all zones
- Residual heat indicator for all zones
- Direct Select Function
- Safety lock
- Frequency Hz: 50;60 Supply Voltage: 220-240 Volts

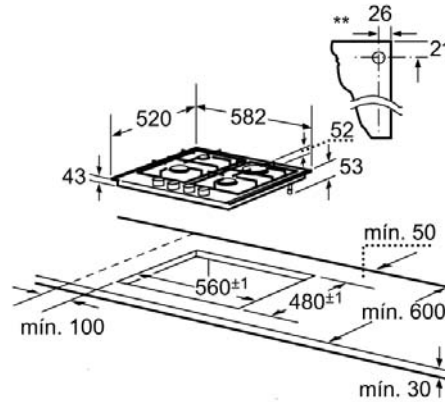


\* Minimum distance from wall

\*\* Maximum installed depth

\*\*\* Allow minimum of 30 mm when installing above oven

# Gas Cooktops



PRICE USD	Cubic Ft
\$394	1.9

## PCP615B90V - 24", 4 burners stainless steel gas cooktop

- 4 Gas Burners: 1 high speed 3.0 kW, 2 standard 1.7 kW, 1 economy 1.0 kW
- Flame failure device and electronic ignition
- Cast Iron pan supports
- Two piece burners
- Natural gas - LPG jets supplied
- Cut-out dimensions: 43 x 560 x 480 mm
- Frequency Hz: 50;60 Supply Voltage: 110-127 / 220

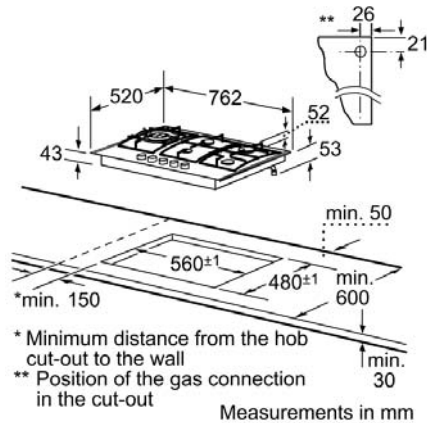


PRICE USD	Cubic Ft
\$646	2.4

## PCQ715M90V - 27", 5 burners stainless steel gas cooktop

- 5 Gas Burners: 1 high speed 3.0 kW, 2 standard 1.7 kW, 1 economy 1.0 kW, 1 wok 4.0 kW
- Flame failure device and electronic ignition
- Cast Iron pan supports
- Two piece burners
- LP gas - Natural gas jets supplied
- Cut-out dimensions: 43 x 560 x 480 mm
- Frequency Hz: 50;60 Supply Voltage: 110-127 / 220

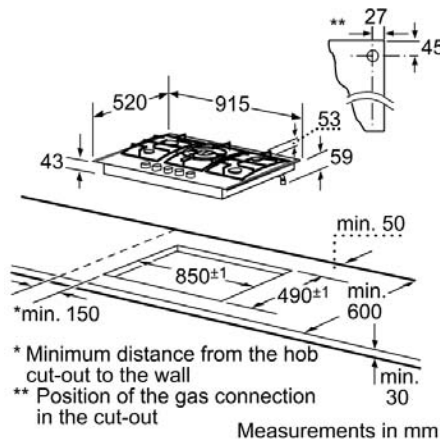
# Gas Cooktops



PRICE USD	Cubic Ft
\$714	2.7

## PCS815M90E - 30", 5 burners stainless steel gas cooktop

- 5 Gas Burners: 1 high speed 3.0 kW, 2 standard 1.7 kW, 1 economy 1.0 kW, 1 dual wok 5.0 kW
- Flame failure device, electronic ignition & child lock
- Cast Iron pan supports
- Two piece burners
- Natural gas - LPG jets supplied
- Cut-out dimensions: 43 x 560 x 480 mm
- Frequency Hz: 50/60 Supply Voltage: 220-240 V



PRICE USD	Cubic Ft
\$780	3.0

## PCR915B90V - 36", 5 burners stainless steel gas cooktop

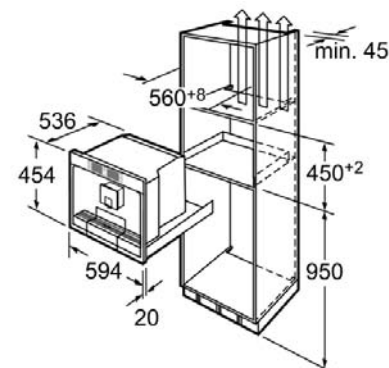
- 5 Gas Burners: 1 high speed 3.0 kW, 2 standard 1.7 kW, 1 economy 1.0 kW, 1 dual wok 4.5.0 kW
- Flame failure device, electronic ignition
- Cast Iron pan supports
- Two piece burners
- LP gas - Natural gas jets supplied
- Cut-out dimensions: 43 x 850 x 490 mm
- Frequency Hz: 50/60 Supply Voltage: 110-127 / 220 V

Authentic espresso made **simple.**

# TCC78K750



PRICE USD	Cubic ft
\$1994	9.0



An installation height >950 mm makes it difficult to fill the containers for beans and water which are fitted on the top.

Measurements in mm

## TCC78K750 - 24" BUILT-IN FULLY AUTOMATIC COFFEE MACHINE

New concept control panel with metal touch controls and clear text digital display

All metal pop-out control dial with illuminated band

Fully programmable functions; grinding grade, drink type, cup size, strength, temperature

SensoFlow system

Aroma pressure system for optimum flavour extraction

Ceramic coffee grinders – extremely durable and quiet

4 grinding grades

Brita water filter

Cream centre

One touch function for milk drinks

Frothing nozzle for cappuccino

Steam and hot water function

Fully automatic rinse programme

Container empty / filter / cleaning / descaling warning indicators

Automatic cleaning and descaling programmes

Height adjustable dispenser

1000g coffee bean container

Ground coffee container

0.7 litre removable milk container

2.5 litre removable water tank

### **SensoFlow heating system**

Provides fast water heating and precise temperature control for improved taste and energy efficiency.

### **Aroma pressure system**

Ensures optimum compression and extraction of ground coffee for a perfect tasting cup of coffee.

### **Fully automatic rinse programme**

Each cup of coffee is freshly brewed every time. Pipes are automatically rinsed after use and any residual water is pumped away. Fresh water guarantees fresh coffee flavour and aroma every time.

### **Cream centre**

An external insulated milk container supplies milk into the cream centre only when it is needed, so that the milk keeps fresher for longer. Giving you perfect milk froth and making it easier to clean.

### **One touch function for milk drinks**

Allows you to store the settings for your favourite milk drink e.g. cappuccino, latte, white coffee so that you only have to press one button for your regular drink.

Frequency Hz: 50 Supply Voltage: 220 - 240

# 60 cm Dishwashers

## SMV40E10EU - "SILENCE PLUS" 60 CM FULLY INTEGRATED DISHWASHER



### Key Features:

- 4 Wash Cycles and 1 Options
- Virtually Silent: 48 dBA
- Two Pumps Minimize Noise & Vibration
- Energy Efficiency Class A
- ActiveWater hydraulic system
- Half load option for small loads
- Load Sensor
- Triple Filtration System
- 13 Place Setting Capacity
- Water Softener with LED salt refill indicator
- Glass care system
- Electronic delay timer: 3, 6 or 9 hours
- AQUASTOP leak protection
- Vario basket system



## SMV58M60EU - "ACTIVE WATER" 60 CM FULLY INTEGRATED DISHWASHER



### Key Features:

- Third Rack
- 5 Wash Cycles and 2 Options
- Virtually Silent: 46 dBA
- Two Pumps Minimize Noise & Vibration
- Energy Efficiency Class A
- ActiveWater hydraulic system
- 2 Special options: Half Load, VarioSpeed
- Load Sensor
- Triple Filtration System
- 14 Place Setting Capacity
- Water Softner with LED salt refill indicator
- Glass care system
- Electronic delay timer: 1 - 24 hours
- AQUASTOP leak protection
- Vario basket system



PRICE	Cubic ft.
\$780	13.2
\$927	13.2

# Dishwasher Panel / Free Standing Dishwasher

## SMZ2055 - DISHWASHER PANEL STAINLESS STEEL

PRICE	Cubic ft.
\$199	3.0
\$959	13.2

## SMS60M08EU - "ACTIVE WATER" 60 CM FREESTANDING DISHWASHER



### Key Features:

- 6 Wash Cycles and 2 Options
- Virtually Silent: 48 dBA
- 5 cleaning temperatures
- Energy Efficiency Class A
- ActiveWater hydraulic system
- 2 Special options: Half Load, VarioSpeed
- Aqua Sensor, Load-Sensor
- Triple Filtration System
- 13 Place Setting Capacity
- Water Softner with LED salt refill indicator
- LED rinse aid refill indicator
- Glass care system
- Electronic delay timer: 1 - 24 hours
- AQUASTOP leak protection
- Vario basket system



# 60 cm Wall Hood

## DWW061350



PRICE USD	Cubic ft
\$275	9.0

### DWW061350 - 24" BRUSHED STEEL CHIMNEY HOOD

Chimney hood  
Wall mounted hood  
Suitable for ducted or re-circulated extraction  
Twin channel high performance fan motor  
Sliding switch control for extractor speeds and light  
2 speeds  
Ducted extraction rate according to DIN/EN 61591: max. 320 m<sup>3</sup>/h  
Extraction rate freeblowing max. 340 m<sup>3</sup>/h  
Noise level on max. Normal 320 m<sup>3</sup>/h: 52 dB (A), complies 66 dB (A) re 1pW according to DIN/EN 60704-2-13  
Max. blower extraction rate 360 m<sup>3</sup>/h  
2 x 40 W lights  
Metal grease filter, dishwasher safe  
Power rating: 190 W  
120 mm diameter pipe

Recirculating kit: DHZ5145 ordered separately. DHZ5145

\$ 67

# 90 cm Wall Hood

## DWW091451



PRICE USD	Cubic ft
\$365	9.0

### DWW091451 - 36" BRUSHED STEEL CHIMNEY HOOD

Wall mounted chimney hood  
Suitable for ducted or recirculation extraction  
Twin channel high performance fan motor  
Sliding switch control for extractor speeds and lights  
3 Speeds  
Maximum extraction 400 m3/h  
2 x 40 W lights  
Metal grease filter, dishwasher safe  
Noise level on max. 53 dB  
Frequency Hz: 50 Supply Voltage: 220 - 240

Recirculating kit: DHZ5145 ordered separately. DHZ5145

\$67

# 90 cm Island Hood

## DIA093650



PRICE USD	Cubic ft
\$985	9.0

### DIA093650 - 36" ISLAND CHIMNEY HOOD WITH GLASS

#### Design:

4 x 20 W halogen lights

#### Operating and power:

- Suitable for ducted or re-circulated extraction
- Extraction rate exhaust air according to EN 61591:  
max. normal use 490 m<sup>3</sup>/h, intensive 620 m<sup>3</sup>/h
- Extraction rate according to EN 61591 ø 15 cm:  
max. Normal use 490 m<sup>3</sup>/h  
Intensive 620 m<sup>3</sup>/h

#### Environment and safety:

- Noise level according to EN 60704-3 und EN 60704-2-13 exhaust air:  
Max. normal use: 59 dB(A) re 1 pW (45 dB(A) re 20 µPa sound pressure)  
Intensive: 65 dB(A) re 1 pW (51 dB(A) re 20 µPa sound pressure)

#### Comfort:

- Twin channel high performance fan motor
- Metal grease filter, dishwasher safe
- Push buttons, backlighted for extractor speeds and light
- 3 speeds plus intensive setting

#### Measures:

- Ceiling mounted hood
- Power rating: 280 W
- 120 or 150 mm diameter pipe

# 60 cm Compact Washer

## WAE24472EP



PRICE USD	Cubic ft
\$840	14.6

### WAE24472EP - 7 KG MAXX7 60 CM VARIOPERFECT AUTOMATIC WASHING MACHINE

Label: A / A / B

Energy consumption: A-20%; 20% more efficient (now only 0,15kWh/kg) compared to the lowest value of energy efficiency class A (0,19 kWh/kg)

7 kg capacity

Drum volume: 55 l

Spin speed selection 1200 to 400 rpm

Multiple water protection

Fully electronic control dial for all wash- and special programs

Special programmes: easy care plus, sensitive, sportswear, quick 15', quick/mixture, Rinse hold, NO\_FEATURE, delicates/silk

VarioPerfect: time- or energy optimized programs with perfect wash performance

Large display for programme progress indication, temperature, spin speed, remaining time and 24 h start time delay

TouchControl-buttons: Reduced Ironing, Aqua plus, EcoPerfect, SpeedPerfect,

Spin speed reduction, start/pause with reload function

3D AquaSpa wash system with cascade for faster water penetration

Automatic load adjustment system

Foam detection system

Unbalanced load detection

Overdosage indication

Buzzer

Child protection: program- and door locking

30 cm porthole with 180 degree opening

Metal door closing hook

Noise level washing (dB): 59

Noise level spinning (dB): 76

Dimensions (H x W x D): 84.7 x 60 x 59 cm

can be built-under

Optional Stacking kit w/wh pull-out tray: WTZ11300UC

\$85

Optional Stacking kit w/out pull out tray WTZ11310UC

\$25

# 60 cm Compact Vented Dryer

## WTV76100EE



PRICE USD	Cubic ft
\$788	14.6

### WTV76100EE 60 CM- MAXX 8 SENSITIVE VENTED ELECTRIC TUMBLE DRYER

Capacity: 8 kg

Consumption of NO\_FEATURE cotton cupboard dry: 1400 U/min - 3.5 kwh - 115 min  
1000 U/min - 4.13 kwh - 138 min

DUO-Tronic

Sensitive Drying System: Big galvanized drum with textile care structure, soft design paddles

Fully electronic control dial for sensor drying programmes and timed programmes

Touch control buttons: Start/Stop, Low Heat

LED programme progress indicator, fluff filter

Anti crease cycle 60 min at the end of the programme

Vent hose

Vent hose supplied with venting from rear left and left hand side can be built-under

Optional Stacking kit with pull-out tray: WTZ11300UC  
Optional Stacking kit w/out pull out tray WTZ11310UC

\$85

\$25

# 60 cm Compact Condensation Dryer

## WTE86310EE



PRICE USD	Cubic ft
\$893	14.6

### WTE86310EE - MAXX 8 60 CM SENSITIVE CONDENSATION DRYER

#### engine power/consumption

- Label: B
- 8 kg capacity
- Consumption of 8 kg cotton cupboard dry: 1400 U/min - 3.74 kwh - 131 min 1000 U/min - 4.49 kwh - 148 min

#### programmes

- Special programmes: sportswear, wool drying in basket, Down wear, 20min caliente, Super 40

#### options

- Anti crease cycle 120 min at the end of the programme
- Touch control buttons: Start/Stop, Low Heat, time delay, Reduced Ironing

#### comfort/safety

- DUO-Tronic
- Sensitive Drying System: Big Stainless steel drum with textile care structure, soft design paddles
- Fully electronic control dial for sensor drying programmes, timed and special programmes
- LED programme progress indicator and service notes
- Wool drying basket
- LC display for remaining time and preselection of programme end time 24 h
- Drum interior light
- Protection filter for condensor
- Glass door with frame
- Door hinge: Right-hand
- Metal door closing hook

#### technical information

- noise level drying (db): 64
- Dimensions (H x W x D): 84.2 x 59.8 x 62.5 cm
- can be built-under

Optional Stacking kit w/ pull-out tray: WTZ11300UC  
Optional Stacking kit w/out pull out tray WTZ11310UC

\$85  
\$25